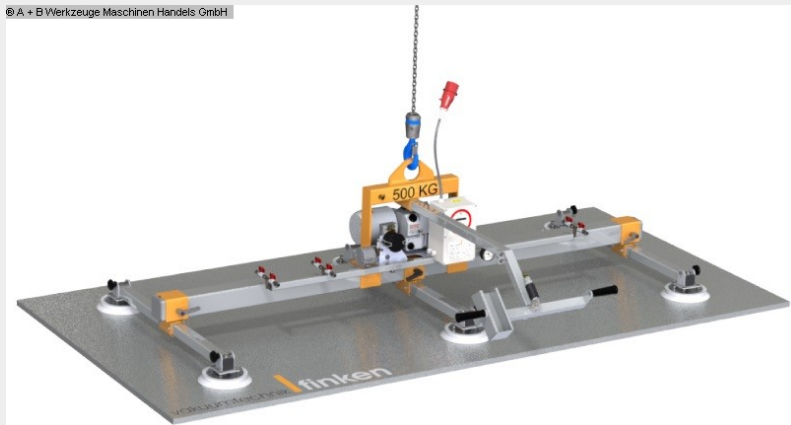




Rottweg 17 • D 48683 Ahaus
Tel. (0 25 61) 93 84-0
Fax (0 25 61) 93 84 36
Internet: www.ab-maschinen.de
E-Mail: info@ab-maschinen.de

Schweißtechnik
Lagereinrichtungen
Industriebedarf
Werksvertretungen
Gebrauchtmaschinen

FINKEN VH 6-500 (1008-8531720)



Control type
konventionell

Machine no.
1008-8531720

Make
FINKEN

Location
Ahaus

Furnishing :

- for the horizontal transport of smooth, dry and airtight panels
- Robust supporting structure made of steel
- Painted in RAL 2000 with low weight
- Galvanized longitudinal beam with a length of 2,400 mm
- 3x galvanized crossbeams with a length of 1,000 mm
- 6x springy, articulated and adjustable suction cup holders
- 6x suction cups Ø 215 mm
- Low-maintenance, very high-quality, dry-running rotary vane vacuum pump
- with a suction capacity of 8 m³/h and a final vacuum of 85% (150 mbar)
- 3 phases 230/400 V + PE, 50 Hz, with cable (approx. 0.5 m long)
- Operating handle can be extended to 1,000 mm from the center of the traverse
- Sturdy metal case for your crane control
- Operation "suction / release" by hand slide valve
- Control and safety device for vacuum lifters
- * Robust control box.
- * Contactor circuit for the vacuum pump
- * Safety warning device with audible alarm

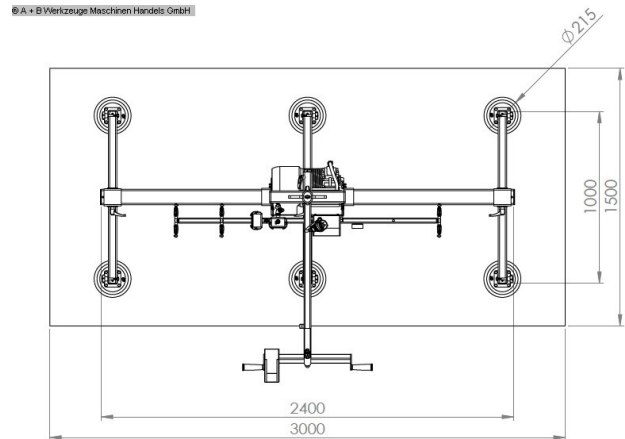
- * Vacuum gauge with danger zone indicator
- * Large vacuum storage tank with safety check valve
- * Double actuation when releasing the load
- Fine dust filter to protect the vacuum pump
- Documentation

- * Special accessories included:
 - 6x ball valves to switch off individual suction cups
 - * so that smaller formats can also be lifted
 - * without having to move suction cups or traverses
 - Spiral connection cable small helix
 - * with an extension length of 3,500 mm, version as
 - * Extension cable with CEE plug and coupling
 - * is routed to the lifting device next to the load chain

Machine attributes

carrying capacity:	500 kg.
number of suction cups:	6 Stück
suction cup dia.:	215 mm
Q:	8,0 m ³ /h
tool adaptor:	Kranöse 80,0 mm
voltage:	400 V
total power requirement:	0,18 kW
weight of the machine ca.:	120 kg.
dimensions of the machine ca.:	2400 x 1100 x 584 mm

Machine images





Rottweg 17 • D 48683 Ahaus
Tel. (0 25 61) 93 84-0
Fax (0 25 61) 93 84 36
Internet: www.ab-maschinen.de
E-Mail: info@ab-maschinen.de

Schweißtechnik
Lagereinrichtungen
Industriebedarf
Werkvertretungen
Gebrauchtmaschinen

© A + B Werkzeuge Maschinen Handels GmbH

